

## Features

- Input Voltage 90~305V AC
- Built in Active PFC Function
- Approved to UKCA, CE, CB & cURus
- Efficiency up to 90%
- Safety Approved to UL/IEC 62368-1 BS EN/EN 62368-1
- Protection: OLP, OVP, OTP SCP
- Three Years Warranty



Ideal Power's 56YEP320-xy 320W Enclosed AC/DC Power Supply (PSU) Series are certified to UKCA, CE, CB, cURus & IEC 62368-1/UL 62368-1/BS EN62368-1/EN 62368-1 Standards and comply with the relevant Efficiency Regulations. These are primarily used in ITE, Audio & Video Industries and customised solutions are available upon request.

### Models

Model Number	DC Voltage (V)	Rated Current (A)	Rated Power (W)	Efficiency (%)	Ripple & Noise (mVp-p)
56YEP320-05	5	60	300	83	150
56YEP320-7.5	7.5	40	300	84	
56YEP320-12	12	26.7	320.4	88	150
56YEP320-13.5	13.5	23.8	321.3	88	
56YEP320-15	15	21.33	320	88.5	150
56YEP320-24	24	13.33	319.9	89	150
56YEP320-27	27	11.94	322.4	88	
56YEP320-36	36	8.9	320.4	89	
56YEP320-48	48	6.66	319.7	90	240
56YEP320-60	60	5.34	320.4	89	

### Input Specifications

Input Voltage	90 ~ 305VAC 127 ~ 430VDC - 50/60Hz
AC Current	4A/115V AC – 2A/230V AC
Inrush Current	40A at 230V AC - 20A at 115V
Leakage Current	< 1mA/240V AC
Power Factor	PF>0.95/230VAC at full load - PF>0.98/115VAC at full load
Connection	I/P: 3 poles terminal Block

**Output Specifications**

Voltage Tolerance	±2.0%
Line Regulation	±0.5%
Load Regulation	±1.0%
	±1.0%
	±1.0%
	±0.5%
	±0.5%
Set up	1500ms, 50ms/230VAC at full load
Rise Time	3000ms, 50ms/115VAC at full load
Hold up Time	8ms at full load, 230VAC /115VAC
Connection	O/P: 6 poles terminal Block

**Protection**

Over Load	105%-135% Rated Output Power
Over Voltage	5V: 5.75~ 6.75V
	12V: 13.8 ~ 16.2V
	15V: 18.8 ~ 21.8V
	24V: 27.6 ~ 32.4V
	48V: 58.4~ 68V
	Protection type: Shut down o/p voltage, re-power on to recover.
Over Temperature	Protection type: Shut down o/p voltage, recovers automatically after temperature goes down.

**Environmental Characteristics**

Working Temp	-30~+70°C (Refer to "Derating Curve")
Working Humidity	20~90% RH non-condensing
Storage Temp., Humidity	-40~+85°C, 10~95% RH non-condensing
Temp. Coefficient	±0.03%/°C (0~50°C)
Vibration	10 ~ 500Hz, 5G 10min. /1cycle, period for 60min. each along X, Y,Z axes
MTBF	1500K hrs min. Telcordia SR-332 (Bellcore)

**Safety & EMC**

Safety Standards	BS EN/EN62368-1, BS EN/EN61558-1
Withstand Voltage	I/P-O/P:3KVAC - I/P-FG:2KVAC - O/P-FG:0.5KVAC
Isolation Resistance	1/P-O/P, 1/P-FG, O/P-FG:100M Ohms / 500VDC / 25°C/ 70% RH
EMC Emission	Compliance to BS EN/EN55032 (C1SPR32) Class B, BS EN/EN61000-3-2,-3
EMC Immunity	Compliance to BS EN/EN61000-4-2,3,4,5,6,8,11, BS EN/EN55035

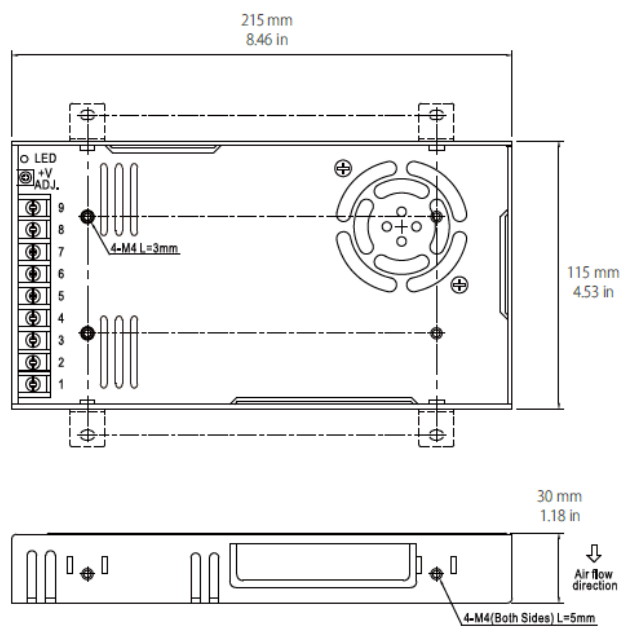
**Dimensions & Weight**

Size	215 x 115 x 30 mm
Weight	150g

### Packaging

Carton Size	38 x 19.5 x 26 cm / 14.96 x 7.68 x 10.24 in
Master Carton Quantities	15pcs

### Dimensions and Recommended Layout



**Input**

No.	Description
1	AC/L
2	AC/N
3	FG =

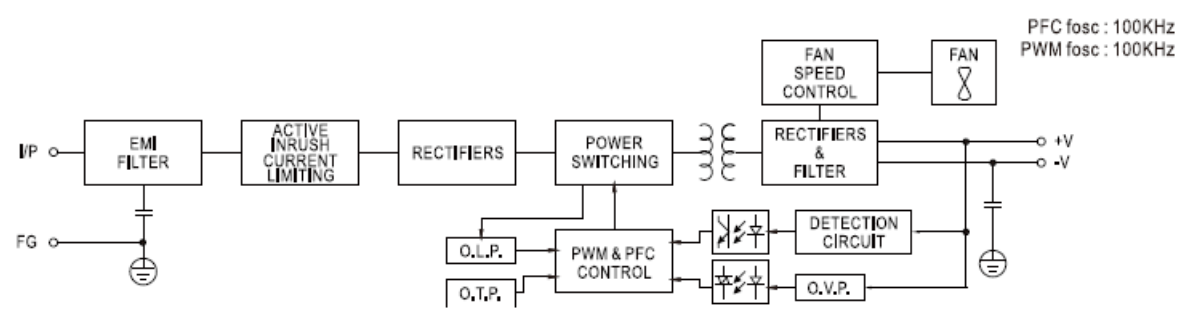
  

**Output**

No.	Description
4-6	DC OUTPUT -V
7-9	DC OUTPUT +V

AC - DC

### Block Diagram



### Derating Curve

